

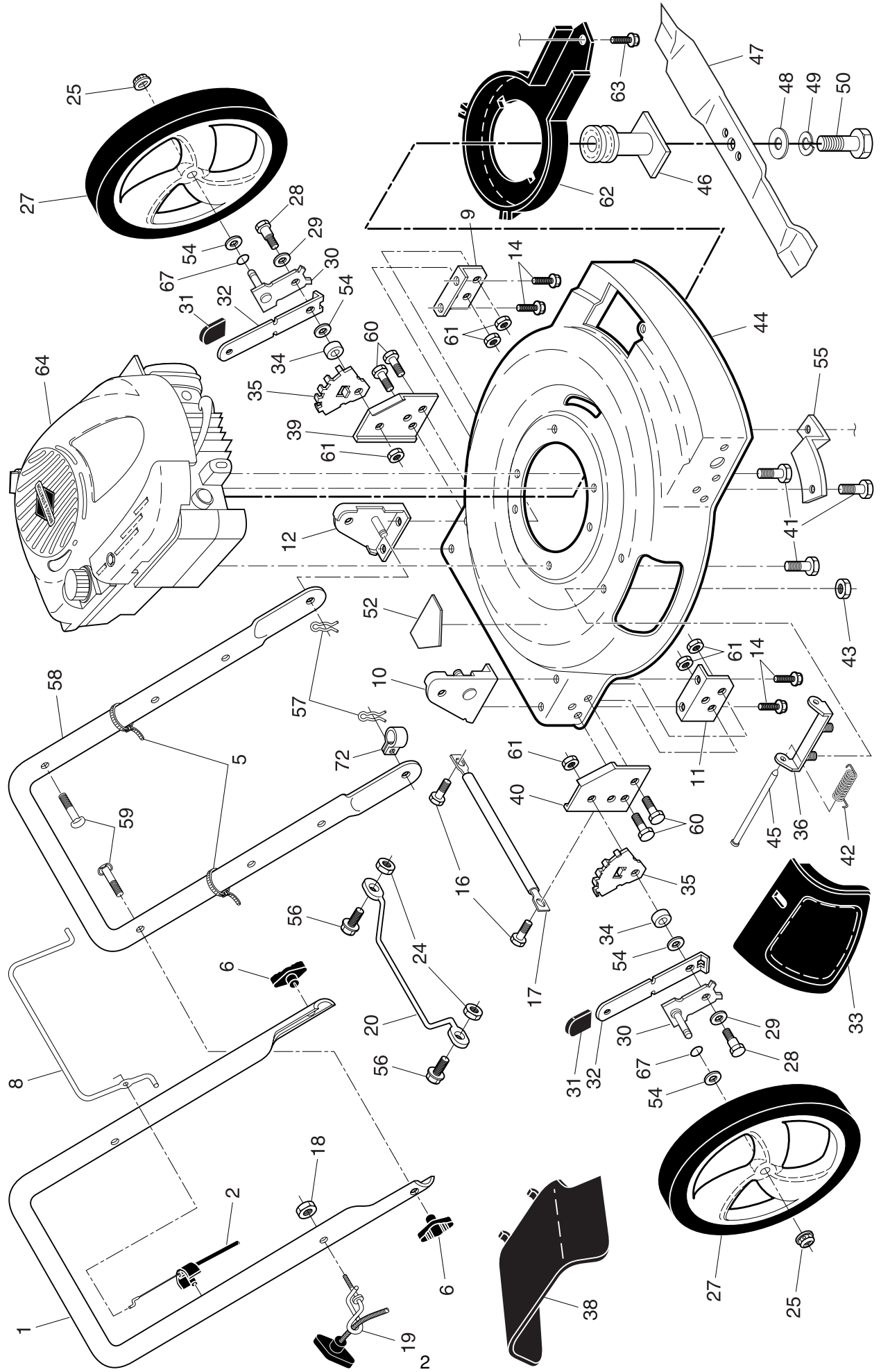
ILLUSTRATED PARTS LIST

MODEL NUMBER P6556SMD

PRODUCT NUMBER 961 21 00-09

MFG. ID. NUMBER 96121000900

ROTARY LAWN MOWER - - MODEL NUMBER P6556SMD (9612100900) PRODUCT NUMBER 961 21 00-09



ROTARY LAWN MOWER -- MODEL NUMBER P6556SMD (9612100900) PRODUCT NUMBER 961 21 00-09

| KEY NO. | PART NO. | DESCRIPTION | KEY NO. | PART NO. | DESCRIPTION |
|---------|--------------|---------------------------------------|---------|--------------|---|
| 1 | 532 17 76-98 | Upper Handle | 41 | 532 15 04-06 | Screw, Hex Head, Threaded, Rolled 3/8-16 x 1-1/8 |
| 2 | 532 18 35-67 | Engine Zone Control Cable | 42 | 532 15 21-24 | Spring, Torsion |
| 5 | 532 06 64-26 | Wire Tie | 43 | 873 80 04-00 | Locknut, Hex |
| 6 | 532 19 19-38 | Handle Knob | 44 | 532 40 07-22 | Kit, Mower Housing (Includes Key Number 52) |
| 8 | 532 14 67-71 | Control Bar | 45 | 532 14 72-86 | Rod, Hinge |
| 9 | 532 19 58-00 | Support Bracket, Handle, LH | 46 | 532 18 91-79 | Blade Adapter / Pulley |
| 10 | 532 17 09-75 | Handle Bracket Assembly, RH | 47 | 532 19 93-79 | Blade, 22" |
| 11 | 532 19 57-99 | Support Bracket, Handle, RH | 48 | 532 85 10-74 | Washer, Hardened |
| 12 | 532 17 09-77 | Handle Bracket Assembly, LH | 49 | 532 85 02-63 | Washer, Lock, Helical |
| 14 | 532 14 97-41 | Screw, Thread Cutting 5/16-18 x 3/4 | 50 | 532 85 10-84 | Screw, Hex Head 3/8-24 x 1-3/8 (Grade 8) |
| 16 | 532 05 45-83 | Screw, Tapping, Hex Head 1/4-20 x 1/2 | 52 | 532 18 21-66 | Decal, Danger |
| 17 | 532 17 71-41 | Rod, Support | 54 | 532 08 83-48 | Washer, Flat 3/8 |
| 18 | 532 13 20-04 | Locknut, Keys | 55 | 532 18 88-39 | Mounting Bracket, Debris Shield |
| 19 | 532 19 47-88 | Rope Guide | 56 | 532 08 58-25 | Screw, Hex Washer Head #10-24 x 1/2 |
| 20 | 532 15 41-47 | Foot Guard | 57 | 532 05 17-93 | Hairpin Cotter |
| 24 | 532 06 91-80 | Nut, Hex | 58 | 532 15 50-44 | Lower Handle |
| 25 | 532 14 52-12 | Locknut, Hex 3/18-16 | 59 | 532 19 15-74 | Handle Bolt |
| 27 | 532 40 29-35 | Wheel & Tire Assembly, Rear | 60 | 874 76 06-12 | Bolt, Hex Head 3/8-16 x 3/4 |
| 28 | 532 14 27-48 | Shoulder Bolt | 61 | 532 75 15-92 | Locknut, Hex |
| 29 | 532 06 16-51 | Belleville Washer | 62 | 532 18 87-84 | Debris Shield |
| 30 | 532 19 60-21 | Axle Arm Assembly | 63 | 532 19 23-25 | Screw, Debris Shield |
| 31 | 532 08 78-77 | Knob, Selector | 64 | --- | Engine, Briggs & Stratton, Model Number 123K02 (Order parts from engine manufacturer) |
| 32 | 532 14 17-30 | Spring, Selector | 67 | 532 19 74-80 | O-Ring |
| 33 | 532 15 18-89 | Discharge Guard | 72 | 532 19 27-70 | Clip, Cable |
| 34 | 532 14 66-30 | Spacer | -- | 532 18 21-34 | Warning Decal (not shown) |
| 35 | 532 15 50-47 | Bracket, Wheel Adjuster | -- | 532 40 03-68 | Operator's Manual, European |
| 36 | 532 15 41-32 | Bracket, Housing | -- | 532 40 03-69 | Operator's Manual, Scandinavian |
| 38 | 532 17 65-09 | Deflector, Discharge | -- | 532 40 04-11 | Operator's Manual, East Bloc |
| 39 | 532 40 33-82 | Support Bracket, LH | -- | 532 40 04-12 | Operator's Manual, Baltic |
| 40 | 532 40 33-81 | Support Bracket, RH | | | |

NOTE: All component dimensions given in U.S. inches. 1 inch = 25.4 mm

IMPORTANT: Use only Original Equipment Manufacturer (O.E.M.) replacement parts. Failure to do so could be hazardous, damage your lawn mower and void your warranty.

ROTARY LAWN MOWER - - MODEL NUMBER **P6556SMD** (9612100900) PRODUCT NUMBER 961 21 00-09

| KEY NO. | PART NO. | DESCRIPTION | KEY NO. | PART NO. | DESCRIPTION |
|---------|--------------|--|---------|----------------|--|
| 1 | 532 18 45-87 | Drive Control Assembly (Includes Cable) | 41 | 532 19 51-07 | Kit, Wheel Adjuster, RH (Includes Knob and Bearing) |
| 2 | 532 19 10-39 | Bearing, Wheel Adjuster | 55 | 532 08 60-12 | Drive Shaft Cover |
| 3 | 532 14 36-03 | Screw, Tapping, Pan Head #10-24 x 2-3/4 | 60 | 532 18 34-97 * | Case, Lower |
| 4 | 532 15 87-55 | Screw, Machine, Pan Head 1/4-20 x 2-3/16 | 61 | 532 18 34-98 * | Case, Upper |
| 5 | 532 14 65-27 | V-Belt | 62 | 532 18 34-99 | Gear, 27 Teeth |
| 6 | 532 15 04-95 | Retainer, Spring | 63 | 532 18 35-00 | Lever, Clutch |
| 7 | 532 19 17-30 | Nut, Hex | 64 | 532 18 35-01 | Spring, Return |
| 9 | 532 08 39-23 | Locknut, Hex | 65 | 532 18 35-02 | Shaft, Input |
| 11 | 532 40 29-36 | Wheel & Tire Assembly | 66 | 532 18 35-03 | Dog, Movable |
| 12 | 812 00 00-58 | E-Ring | 67 | 532 18 35-04 | Dog, Fixed |
| 13 | 532 75 00-03 | Pinion | 68 | 532 18 35-05 | Wire, Formed |
| 14 | 532 18 94-03 | Dust Cover | 69 | 532 18 35-06 | Bearing, Ball |
| 15 | 532 19 10-17 | Pawl, Drive | 70 | 532 18 35-07 | Fork, Shift |
| 16 | 532 06 77-25 | Washer | 71 | 532 18 35-08 | Seal, Output Shaft |
| 18 | 532 08 78-77 | Knob, Selector | 72 | 532 18 35-09 | Washer |
| 28 | 532 19 58-11 | Drive Cover | 73 | 532 18 35-10 | Seal, Case |
| 32 | 532 19 41-26 | Pulley, Drive | 74 | 532 18 35-11 | Bushing |
| 35 | 532 19 51-10 | Kit, Wheel Adjuster, LH (Includes Knob and Bearing) | 75 | 532 19 65-61 | Shaft, Output |
| 36 | 532 19 49-36 | Gear Case Assembly, Complete | 76 | 532 18 35-13 | Screw |
| 38 | 873 80 04-00 | Locknut, Hex | 77 | 532 18 35-14 | Seal, Input Shaft |
| 40 | 532 13 70-90 | Spring | | | |

* Use Dow Corning #709 to reseal Gear Case Halves.

NOTE: All component dimensions given in U.S. inches. 1 inch = 25.4 mm

IMPORTANT: Use only Original Equipment Manufacturer (O.E.M.) replacement parts. Failure to do so could be hazardous, damage your lawn mower and void your warranty.